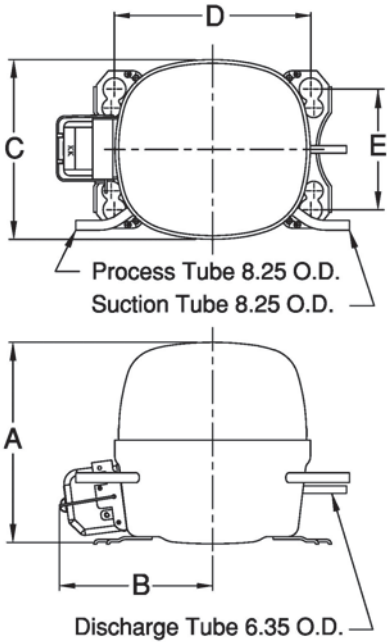




PRINCIPAL DIMENSIONS - mm



A	178
B	137
C	155
D	165
E	102

ELECTRICAL : 220-240 Volt. 50 Hz. 1 Phase

Nominal Performance

Cooling Capacity :	134	Watts (457)	BTU/Hr
	115	Kcal/Hr	
Power Input :	109	Watts	
Lock Rotor Amps :	9	Amps	
Rated Load Amps :	0.76	Amps	
COP (EER) :	1.23	Watts/Watts (4.19)	BTU/ W-Hr

Testing Conditions

Condensing Temperature :	54.4	°C
Evaporating Temperature :	-23.3	°C
Liquid Temperature :	32.2	°C
Return Gas Temperature :	32.2	°C
Ambient Temperature :	32.2	°C

Application

Evaporating Range :	LBP @ -34.4 °C to -12.2 °C
Refrigerant :	R134a
Expansion :	Capillary Tube
Compressor Cooling :	Natural Convection

Compressor and Motor data

Compressor Type :	Reciprocating
Displacement :	5.00 cc.
Oil Type :	Polyolester Oil
Oil Charge :	270 cc.
Motor Type :	R.S.I.R. ; 2 Pole 2880 rpm
Voltage Range :	187 - 264 Volts 50 Hz.
Winding Resistance at 25 °C	
Start :	30.55 Ohms
Run :	17.23 Ohms
Weight with Oil :	7.15 Kg.
Weight with Oil and Accessories :	7.43 Kg.

Electrical Components

Motor Protector :

Type :	External 5TM
Model Number :	KME 670-16
Open / Close :	95-105 / 70-52 °C
1st Cycle trip at 25 °C :	6.0 Amps

Motor Starter :

Type :	PTC Relay
Model Number :	KME 693-4
Pick Up (max.) :	- Amps.
Drop Out(min.) :	- Amps.
Terminal Cover :	KMD 902-2

Start Capacitor :

Disch. Resistor for Start Cap :	No	µ F	No	VAC.
---------------------------------	----	-----	----	------

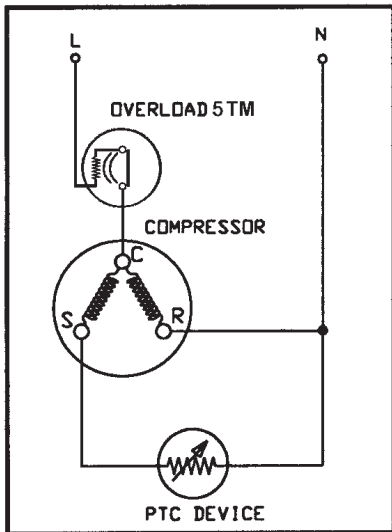
Run Capacitor :

	No	µ F	No	VAC.
--	----	-----	----	------

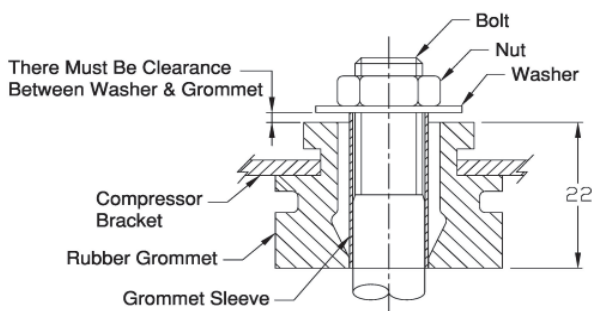
Mounting Kit

Rubber Grommet :	KMD 905-3	Earth Plug :	
Sleeve Grommet :	KMD 903-2	Earth Screw :	
Washer :	KEB 387	Washer Lock:	

SCHEMATIC WIRING DIAGRAM R.S.I.R.



MOUNTING KIT



Since we are constantly improving our product , the specification are subject to change without notice.

REV. DATE

31-05-11

C / N No.

0184/11