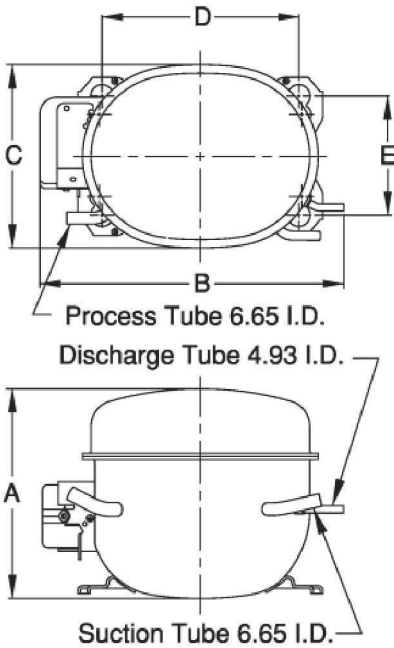




UNCONTROLLED COPY

PRINCIPAL DIMENSIONS - mm



A	212
B	265
C	155
D	165
E	102

ELECTRICAL : 220-240 Volt. 50 Hz. 1 Phase

Nominal Performance

Cooling Capacity :	1,800 Watts (6,142) BTU/Hr
	1,548 Kcal/Hr
Power Input :	840 Watts
Lock Rotor Amps :	19.2 Amps
Rated Load Amps :	3.95 Amps
COP (EER) :	2.14 Watts/Watts (7.31) BTU/ W-Hr

Testing Conditions

Condensing Temperature :	54.4 °C
Evaporating Temperature :	+7.2 °C
Liquid Temperature :	46.1 °C
Return Gas Temperature :	35 °C
Ambient Temperature :	35 °C

Application

Evaporating Range :	HBP @ -6.7 °C to +12.7 °C
Refrigerant :	R22
Expansion :	Capillary Tube
Compressor Cooling :	Fan

Compressor and Motor data

Compressor Type :	Reciprocating
Displacement :	14.14 cc.
Oil Type :	Mineral Oil
Oil Charge :	437 cc.
Motor Type :	C.S.R. ; 2 Pole 2880 rpm
Voltage Range :	198-264 Volts 50 Hz.
Winding Resistance at 25 °C	
Start :	14.25 Ohms
Run :	4.62 Ohms
Weight with Oil :	11.80 Kg.
Weight with Oil and Accessories :	12.50 Kg.

Electrical Components

Motor Protector :

Type :	External 3/4"
Model Number :	KME 666-2/C
Open / Close :	130-140 / 61-43 °C
1st Cycle trip at 25 °C :	13 Amps

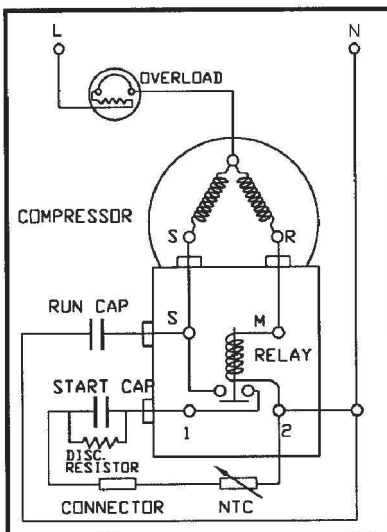
Motor Starter :

Type :	Current Relay
Model Number :	KME 682-25NT
Pick Up (max.) :	9.60 Amps
Drop Out(min.) :	8.40 Amps
Terminal Cover :	KMD 901-12
Start Capacitor :	36-43 μF 330 VAC.
Disch. Resistor for Start Cap :	15000 Ohms 2 W
Run Capacitor :	15 μF 440 VAC.

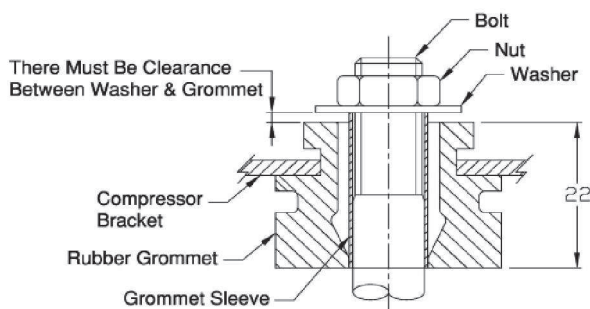
Mounting Kit

Rubber Grommet :	KMD 905-3	Earth Plug :
Sleeve Grommet :	KMD 903-2	Earth Screw :
Washer :	KEB 387	Washer Lock:

SCHEMATIC WIRING DIAGRAM C.S.R.



MOUNTING KIT



Since we are constantly improving our product , the specification are subject to change without notice.

REV. DATE

05-10-12

C / N No.

0462/12